

The background features a large, detailed 3D rendering of a pump impeller, which is a central component of a centrifugal pump. The impeller is shown in a perspective view, highlighting its curved vanes and central hub. The impeller is surrounded by water splashes and bubbles, suggesting motion and fluid flow. The top left corner of the image is divided into two diagonal sections: a green one on top and a blue one on the bottom. The Pentair Jung Pumpen logo is positioned in the green section.

 **PENTAIR**
JUNG PUMPEN

Catalogue

RESIDENTIAL TECHNOLOGY

Drena-Line

JUNG-PUMPEN.COM

JUNG PUMPEN, Germany



CERTIFICATIONS

DIN EN ISO 9001: 2015 (Quality) • DIN EN ISO 14001: 2015 (Ambient) • DIN EN ISO 50001: 2011 (Energy) • RL 2014/34/EU (Atex)



THE FORUM

Straightforwardness und classical stylistic idiom with openness and transparency reflect the new center for communication and information.

On an area of 900 m² inside the FORUM, we have created seminar rooms that are designed to host a wide range of seminars:

- Domestic technology
- Wastewater systems
- Pressure drainage systems
- Practice-related themes

We reserve the right to changes without notice on all illustrations, specified in the catalogue as well as changes on construction and measurements, and the necessary choice from materials, if they are due to technical progress or serve the improvement. The images partly contain accessories.



HIGH QUALITY IS OUR MISSION

The Pentair Group is one of the world leaders in the design and manufacture of innovative products and systems used worldwide for the treatment, transport and storage of water.

The Brands:

Founded in 1924, Jung Pumpen in Germany is part of the Pentair multinational group and an acknowledged leader in the water treatment and pumping industry. They are specialists in waste water pumps for the professional market. The quality of Made in GERMANY products is a guarantee of excellent reliability.

The new **Jung Pumpen Drena-Line** range offers high-quality pumps for drainage and waste water. Thanks to robust materials of construction, primarily stainless steel, the pumps can be used for a wide range of applications. The products are produced in ITALY.

**QUALITY
MADE IN ITALY**

JUNG PUMPEN INDEX

CLEAN WATER PUMPS	Model	Page
Submersible pumps for the drainage of clean water	DP	7
	DPC	9
Stainless steel submersible pumps for the drainage of clean water	DRENOX	11
Stainless steel submersible pumps for the drainage of clean water	OMNIA	15

WASTE WATER PUMPS	Model	Page
Submersible pumps for the drainage of dirty water	DPV	19
Stainless steel submersible pumps for dirty water	PRIOX XS	21
Stainless steel submersible pumps for wastewater	PRIOX	23
Accessories		26
Easycontroller		27

LIFTING STATION	Model	Page
	COMPLI 310 E	29
	COMPLI 1100 E	33

DP

DRENA-LINE CLEAN WATER



- Compact dimensions
- Continuous operation
- Easily transportable for emergency use
- Integrated float switch
- Low level pumping
- Sealed cable inlet

DESCRIPTION

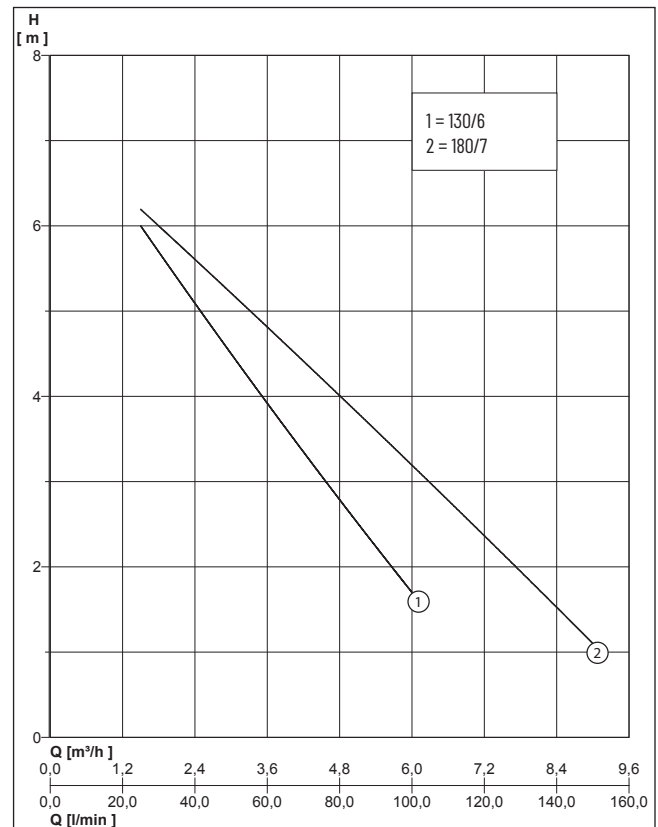
The DP series submersible pumps for clear water have been designed for domestic applications such as drainage of seepage water, pumping of water from wells, water deposits and collection tanks. Equipped with Ø 25-32 rubber holder. The float level switch enables the pump to work automatically.

Minimum drying level 10 mm.

APPLICATIONS

- Drainage of infiltrated water
- Emptying of rooms, tanks and wells
- lifting of rainwater from grille or well

PERFORMANCE



Type	Delivery head H [m]	2	3	4	5	6
DP 130/6	Flow rate Q [m³/h]	5.7	4.7	3.6	2.5	1.3
DP 180/7 AUT		7.7	6.3	4.8	3.3	1.7

DP

DRENA-LINE CLEAN WATER

MECHANICAL DATA

Free passage	6 mm	Motor housing	Stainless steel X 8 CrNi 18-10 (AISI 304)
Oil chamber	Yes	Pump housing	Technopolymer
Shaft	Stainless steel X 12 CrS 13 (Al-SI 416) with ceramic insert at the points of wear of the seal	Submersible	Yes
Impeller	Technopolymer	Temperature of the liquid max.	40 °C
		Diving depth	7 m

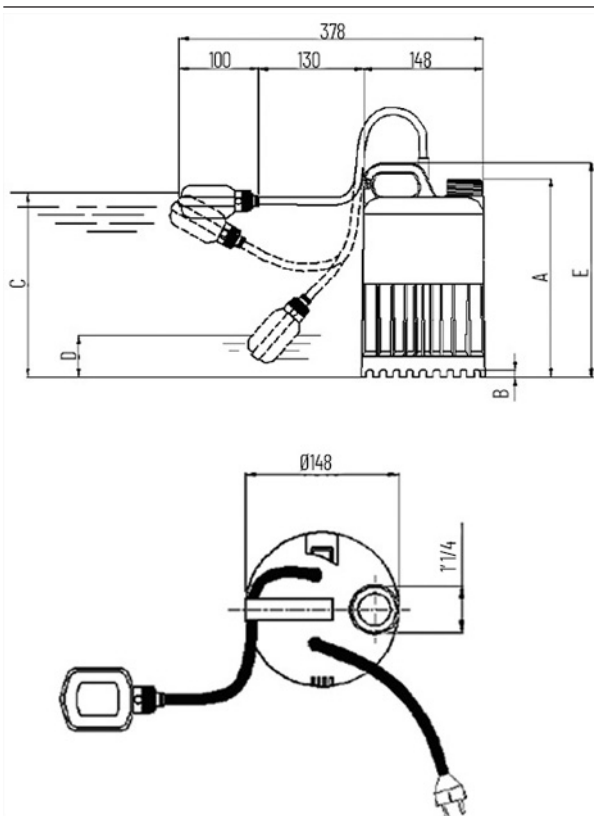
ELECTRICAL DATA

Voltage	1/N/PE~230 V	Insulation class	F
Power line	10m H05RN-F	Rotation speed	2850 rpm
Type of enclosure	IP 68		

DP

Type	Code No.	Motor rating P2	Current	Weight
DP 130/6	N1041190	0.30 kW	1.4 A	3.9 kg
DP 130/6 AUT	N1041170	0.30 kW	1.4 A	3.9 kg
DP 180/7 AUT	N1041180	0.37 kW	1.6 A	4.2 kg

DP AUT



DIMENSIONS [mm]

Type	A	B	C	D	E
DP 130/6	236	10			256
DP 130/6 AUT	236	10	330	150	256
DP 180/7 AUT	236	10	330	150	256

DPC

DRENA-LINE CLEAN WATER

- Compact dimensions
- Continuous operation
- Integrated float switch
- Manual-automatic switch
- Low level pumping
- Moisture sealed cable inlet



DESCRIPTION

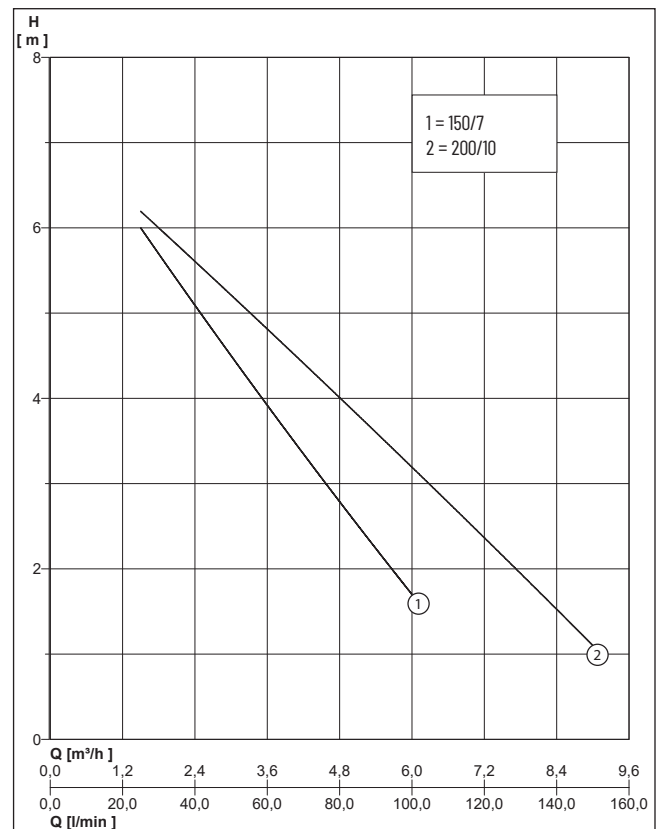
The submersible pumps of the DPC series for clear water are designed for domestic use such as the drainage of infiltrated water, the collection of water from wells, basins or tanks. Check valve and hose connector adaptable for hoses of 3/4 or \varnothing 25-32, included in supply.

Minimum drying level 3 mm.

APPLICATIONS

- Drainage of infiltrated water, lifting of rainwater from grille or well
- Emptying of rooms, tanks and wells

PERFORMANCE



Type	Delivery head H [m]	3	4	5	6	7	8	9
DPC 150/7	Flow rate Q [m³/h]	6.2	5.6	4.9	4.2	3.4	2.5	1.5
DPC 200/10		8.0	7.3	6.6	5.6	4.7	3.6	2.3

DPC

DRENA-LINE CLEAN WATER

MECHANICAL DATA

Free passage	3 mm	Pump housing	Technopolymer
Oil chamber	Yes	Submersible	Yes
Shaft	Stainless steel X 8 CrNi 18-9 (AISI 303)	Counterface	Ceramic. Lubricated in oil chamber
Impeller	Technopolymer	Temperature of the liquid max.	40 °C
Motor housing	Stainless steel X 8 CrNi 18-10 (AISI 304)	Diving depth	7 m
		Weight	5.6 kg

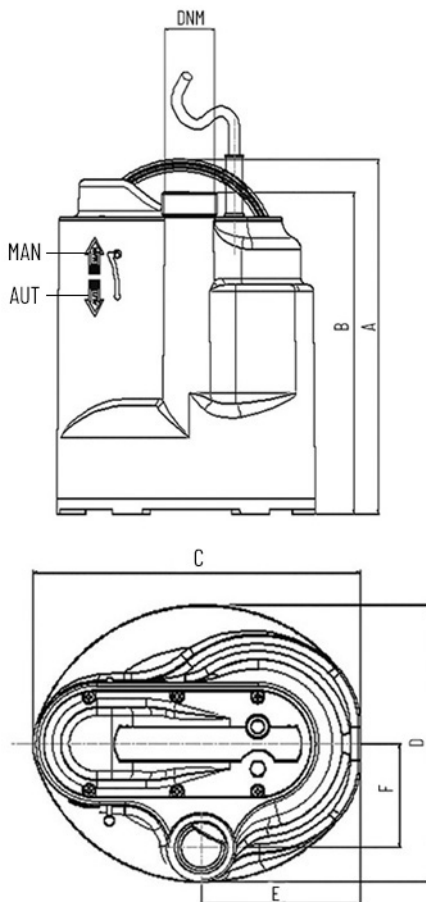
ELECTRICAL DATA

Voltage	1/N/PE~230 V	Insulation class	F
Power line	10m H05RN-F	Plug	Safety
Type of enclosure	IP 68	Rotation speed	2850 rpm

DPC

Type	Code No.	Motor rating P1	Current	Mechanical seal
DPC 150/7	N1080130	0.33 kW	1.4 A	Double lip seal lubricated in oil chamber with ceramic coating bushing shaft
DPC 200/10	N1080110	0.65 kW	2.9 A	Double seals lubricated by oil. Primary seal: carbon graphite/ceramic mechanical seal, Secondary seal: lip seal

DPC



DIMENSIONS [mm]

Type	A	B	C	D	F	DNM	E
DPC 150/7	273	148	200	170	63	1 1/4"	97
DPC 200/10	273	148	200	170	63	1 1/4"	97

DRENOX

DRENA-LINE CLEAN WATER

- Completely in stainless steel
- Double mechanical seal
- Low level pumping (3mm vers. 80/7)
- Moisture sealed cable inlet
- Powerful drainage pump
- Sturdy and resistant



DESCRIPTION

The DRENOX series pumps are made completely with stainless steel AISI 304. The motor is cooled by means of a heat exchange chamber that allows the machine to operate for long periods not completely submerged. Elbow fitting hose \varnothing 32 mm supplied.

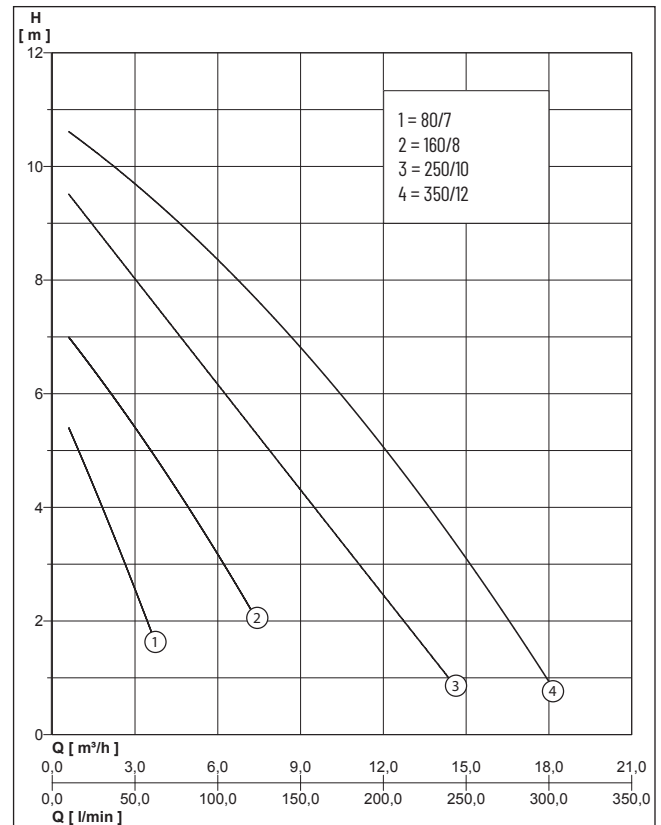
Minimum drying level 3 mm for model 80/7, 35 mm for the other models (in manual version).

Automatic version (aut) equipped with float switch.

APPLICATIONS

- Drainage of infiltrated water, lifting of rainwater from grilles or wells, emptying of rooms, tanks and light industrial applications.
- Fountains and water games.
- Irrigation

PERFORMANCE



Type	Delivery head H [m]	2	3	4	5	6	7	8	9	10
DRENOX 80/7+80/7-AUT	Flow rate Q [m³/h]	3.4	2.6	1.8	1.0	0.1				
DRENOX 160/8			6.2	4.9	3.6	2.1	0.6			
DRENOX 250/10+250/10-AUT		12.6	11.0	9.4	7.8	6.2	4.6	3.0	1.2	
DRENOX 350/12+350/12-AUT		16.5	15.0	13.6	12.0	10.4	8.6	6.5	4.5	2.3

DRENOX

DRENA-LINE CLEAN WATER

MECHANICAL DATA

Bearing	Self-lubricating ball bearings.	Submersible	Yes
Oil chamber	Yes	Mechanical seal	Double fixed seal in rubber NBR70 with special sand guard V-ring. Lubricated in oil chamber
Shaft	Stainless steel with ceramic inserts at the points of wear of the seal	Type of liquid	clear water partially dirty, non-aggressive liquids
Impeller	Stainless steel X5CrNi18-10 (AISI 304)	Temperature of the liquid max.	40 °C
Motor housing	Stainless steel X 8 CrNi 18-10 (AISI 304)	Diving depth	7 m
Pump housing	Stainless steel X5 CrNi 1810 (AISI 304)		

ELECTRICAL DATA

Power line	10m H07RN-F	Insulation class	F
Type of enclosure	IP 68	Rotation speed	2850 rpm

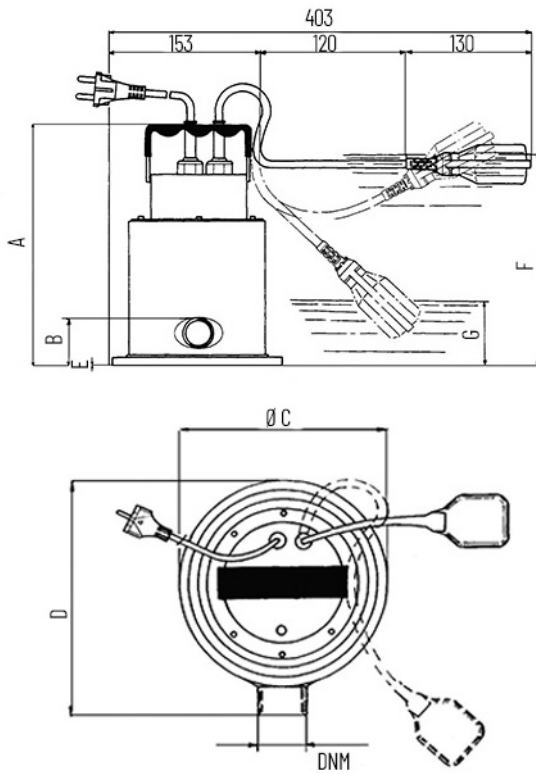
DRENOX

Type	Code No.	Voltage	Motor rating		Current	Free passage	Weight
			P1	P2			
DRENOX 80/7	N1031090	1/N/PE~230 V	0.30 kW	0.20 kW	1.3 A	3 mm	5.7 kg
DRENOX 80/7-AUT	N1031100	1/N/PE~230 V	0.30 kW	0.20 kW	1.3 A	3 mm	5.7 kg
DRENOX 160/8	N1031020	1/N/PE~230 V	0.55 kW	0.40 kW	2.4 A	6 mm	6.5 kg
DRENOX 160/8 -AUT	N1031060	1/N/PE~230 V	0.55 kW	0.40 kW	2.4 A	6 mm	6.5 kg
DRENOX 250/10	N1031030	1/N/PE~230 V	0.90 kW	0.55 kW	4.5 A	6 mm	7.0 kg
DRENOX 250/10-AUT	N1031070	1/N/PE~230 V	0.90 kW	0.55 kW	4.5 A	6 mm	7.0 kg
DRENOX 350/12	N1031040	1/N/PE~230 V	1.20 kW	0.80 kW	5.1 A	6 mm	8.5 kg
DRENOX 350/12-AUT	N1031080	1/N/PE~230 V	1.20 kW	0.80 kW	5.1 A	6 mm	8.5 kg
DRENOX 350/12 T	N1031110	3/N/PE~400 V	1.20 kW	0.80 kW	2.0 A	6 mm	8.5 kg

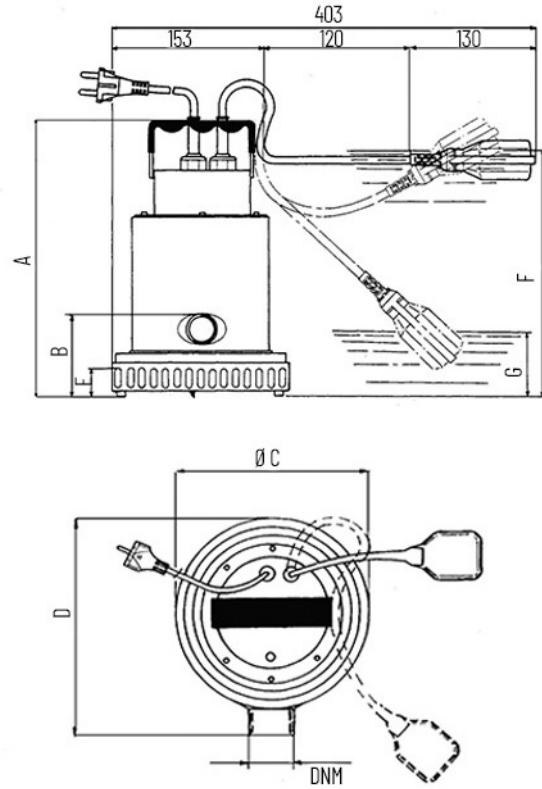
DRENOX

DRENA-LINE CLEAN WATER

DRENOX 80/7 AUT



DRENOX 160/8 - 250/10 - 350/12 AUT



DIMENSIONS [mm]

Type	A	B	C	D	F	G	DNM	E
DRENOX 80/7	231	61	177	182			1 1/4"	3
DRENOX 80/7-AUT	231	61	177	182	250	100	1 1/4"	3
DRENOX 160/8	300	94	177	182			1 1/4"	35
DRENOX 160/8 -AUT	300	94	177	182	320	107	1 1/4"	35
DRENOX 250/10	338	94	177	182			1 1/4"	35
DRENOX 250/10-AUT	338	94	177	182	351	111	1 1/4"	35
DRENOX 350/12	338	94	177	182			1 1/4"	35
DRENOX 350/12-AUT	338	94	177	182	351	111	1 1/4"	35

OMNIA

DRENA-LINE CLEAN WATER

- Completely in stainless steel
- Moisture sealed cable inlet
- Low level pumping
- Sturdy and resistant
- Thermal protection build in motor winding
- Sturdy and resistant



DESCRIPTION

The pumps in the OMNIA series are constructed in 100% stainless steel AISI 304. The motor is cooled via a heat exchange chamber that enables the machine to run for long periods without being complete immersed. Hose connector \varnothing 32 supplied.

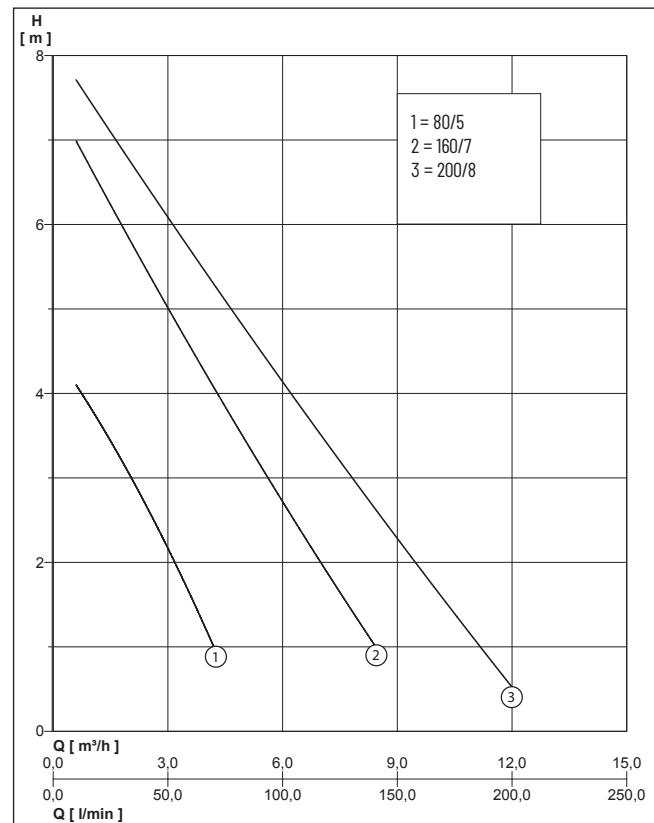
Automatic version (aut) equipped with float switch.

Minimum drying level 35 mm (in manual version).

APPLICATIONS

- Drainage of infiltrated water, lifting of rainwater from grilles or wells, emptying of rooms, tanks and light industrial applications.
- Fountains and water games.
- Irrigation

PERFORMANCE



Type	Delivery head H [m]	1	2	3	4	5	6	7
OMNIA 80/5+80/5-AUT	Flow rate Q [m³/h]	4.2	3.2	2.0	0.7			
OMNIA 160/7+160/7-AUT			7.0	5.6	4.2	3.0	1.8	0.6
OMNIA 200/8+200/8-AUT			9.4	7.8	6.2	4.5	3.0	1.6

OMNIA

DRENA-LINE CLEAN WATER

MECHANICAL DATA

Free passage	20 mm	Motor housing	Stainless steel X5 CrNi 1810 (AISI 304)
Bearing	Self-lubricating ball bearings.	Pump housing	Stainless steel X5 CrNi 1810 (AISI 304)
Oil chamber	Yes	Submersible	Yes
Shaft	Stainless steel X 12 CrNiS 1809 (AISI 416)	Type of liquid	discharge water with solids
Impeller	Stainless steel X5CrNi18-10 (AISI 304)	Temperature of the liquid max.	40 °C
		Diving depth	7 m

ELECTRICAL DATA

Voltage	1/N/PE~230 V	Insulation class	F
Power line	10m H07RN-F	Rotation speed	2850 rpm
Type of enclosure	IP 68		

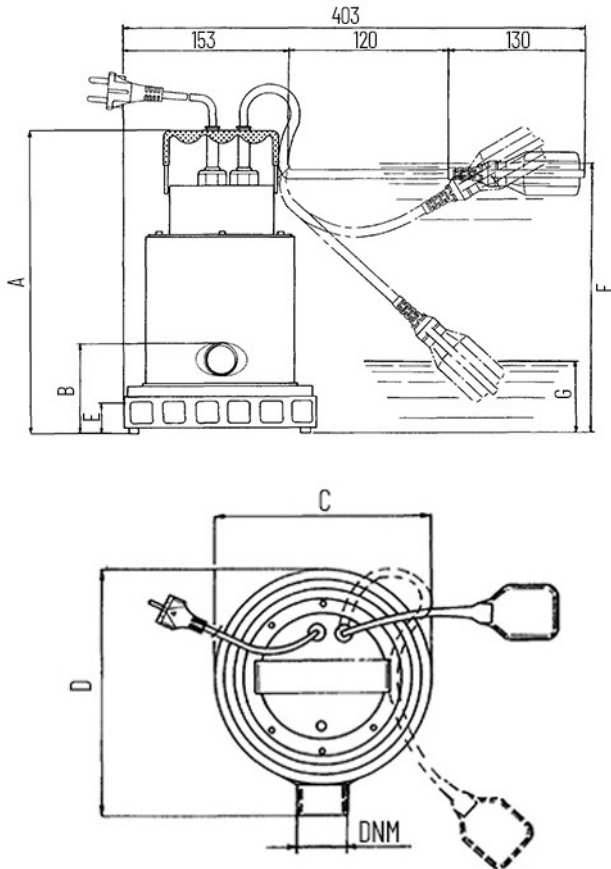
OMNIA

Type	Code No.	Motor rating		Current	Weight
		P1	P2		
OMNIA 80/5	N2081070	0.30 kW	0.20 kW	1.4 A	6.1 kg
OMNIA 80/5-AUT	N2081090	0.30 kW	0.20 kW	1.4 A	6.1 kg
OMNIA 160/7	N2081020	0.50 kW	0.37 kW	2.5 A	7.0 kg
OMNIA 160/7-AUT	N2081110	0.50 kW	0.37 kW	2.5 A	7.0 kg
OMNIA 200/8	N2081030	0.75 kW	0.50 kW	3.2 A	8.5 kg
OMNIA 200/8-AUT	N2081100	0.75 kW	0.50 kW	3.2 A	8.5 kg

OMNIA

DRENA-LINE CLEAN WATER

OMNIA AUT



DIMENSIONS [mm]

Type	A	B	C	D	F	G	DNM	E
OMNIA 80/5	264	94	177	182			1 1/4"	35
OMNIA 80/5-AUT	264	94	177	182	250	100	1 1/4"	35
OMNIA 160/7	300	94	177	182			1 1/4"	35
OMNIA 160/7-AUT	300	94	177	182	320	107	1 1/4"	35
OMNIA 200/8	338	94	177	182			1 1/4"	35
OMNIA 200/8-AUT	338	94	177	182	351	111	1 1/4"	35

DPV

DRENA-LINE DIRTY WATER

- Compact dimensions
- Easily transportable for emergency use
- Moisture sealed cable inlet
- Double mechanical seal
- Large free passage
- Highly reliable



DESCRIPTION

DPV submersible pumps for waste water are designed for domestic applications, and can be used to convey water containing impurities with a diameter up to 25 mm, to empty cess pit drains. Hose connector \varnothing 32 supplied.

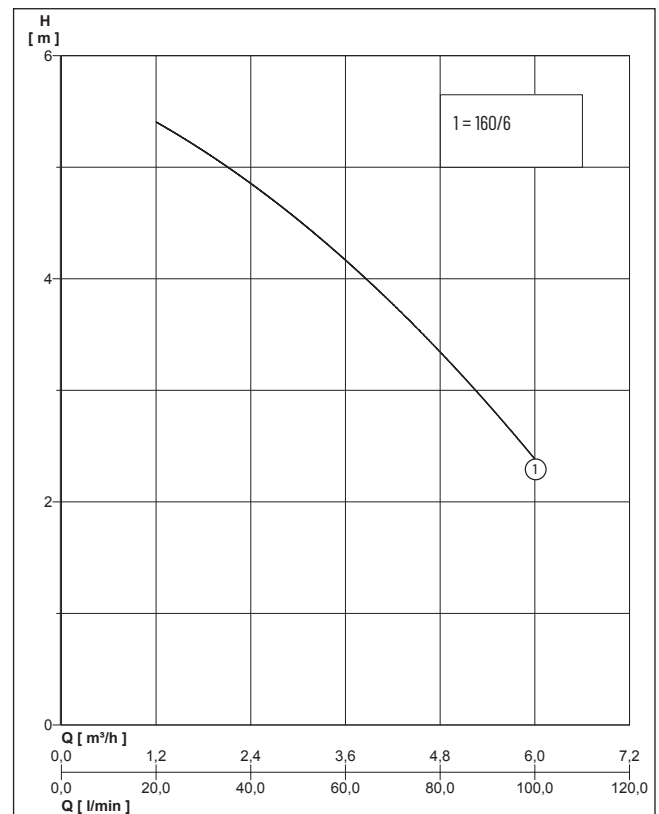
Minimum drying level 35 mm.

Automatic version (aut) equipped with float switch.

APPLICATIONS

- Drainage of dirty water of domestic use
- Emptying of rooms, tanks and wells

PERFORMANCE



Type	Delivery head H [m]	3	4	5	6
DPV 160/6 M/AUT	Flow rate Q [m³/h]	5.4	3.7	2.1	0.6

DPV

DRENA-LINE DIRTY WATER

MECHANICAL DATA

Free passage	25 mm	Pump housing	Technopolymer
Oil chamber	Yes	Submersible	Yes
Shaft	Stainless steel X 12 CrS 13 (Al-SI 416) with ceramic insert at the points of wear of the seal	Type of liquid	dirty water with suspended solids
Impeller	Technopolymer	Temperature of the liquid max.	40 °C
Motor housing	Stainless steel X 8 CrNi 18-10 (AISI 304)	Diving depth	7 m
		Weight	4.2 kg

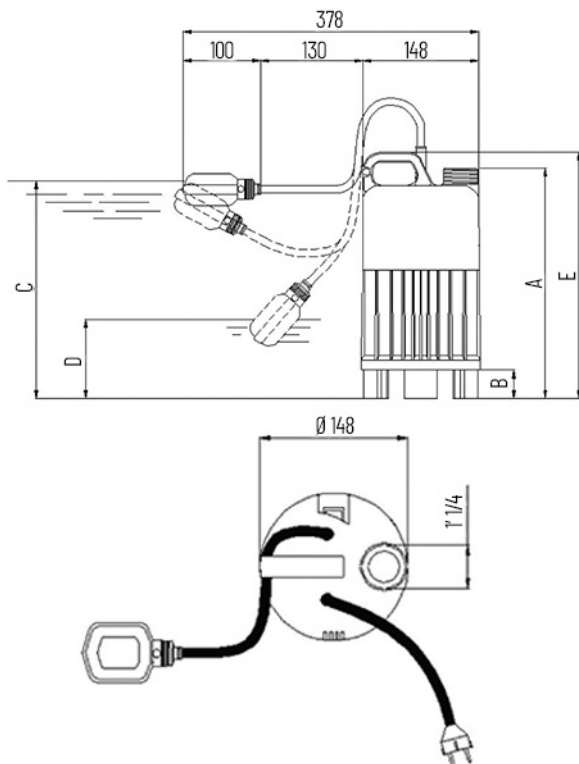
ELECTRICAL DATA

Voltage	1/N/PE~230 V	Type of enclosure	IP 68
Motor rating P1	0.41 kW	Insulation class	F
Current	1.9 A	Rotation speed	2850 rpm
Power line	10m H05RN-F		

DPV

Type	Code No.
DPV 160/6 M	N2101120
DPV 160/6 AUT	N2101110

DPV AUT



DIMENSIONS [mm]

Type	A	B	C	D	E
DPV 160/6 M	284	35			304
DPV 160/6 AUT	284	35	330	15	304

PRIOX XS

DRENA-LINE DIRTY WATER

- Automatic airventing
- Completely in stainless steel
- Large free passage
- Mechanical seal in silicon carbide/silicon carbide
- Thermal protection build in motor winding



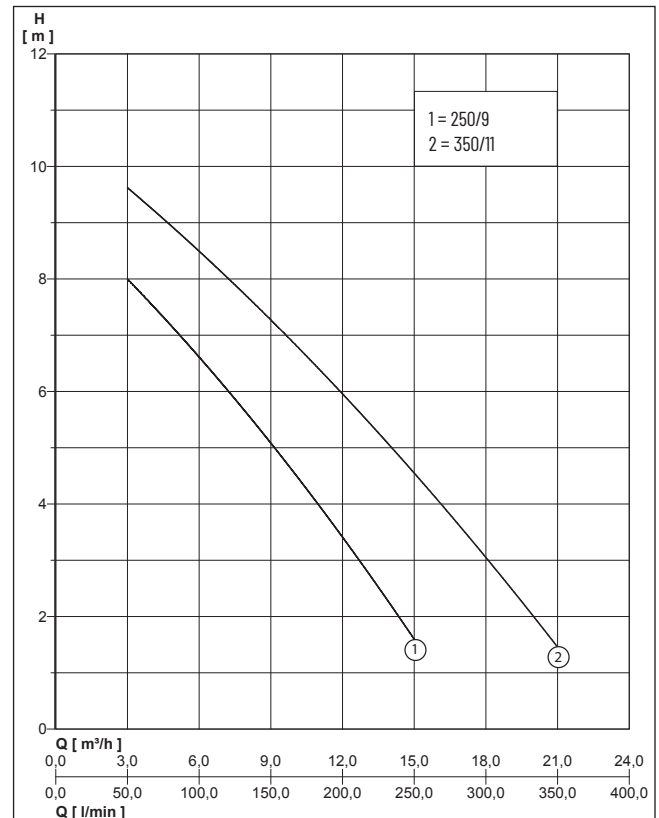
DESCRIPTION

The PLOX XS series pumps are made completely with stainless steel AISI 304. They operate completely immersed in the liquid to be pumped, which provides for the cooling of the motor from the outside. Made with a retreated impeller on the principle of vortex operation. Automatic version equipped with float switch.

APPLICATIONS

- All lifting and emptying operations of dirty water with suspended solids.
- Lifting stations with one or more pumps for agricultural and civil use.
- Suitable for the emptying of infiltrated water.
- Handling of dirty discharge water (toilets), emptying of wells and discharge in sewers.

PERFORMANCE



Type	Delivery head H [m]	2	3	4	5	6	7	8	9	10
PRIOX 250/9 XS AUT	Flow rate Q [m³/h]	14.2	12.3	10.5	9.0	6.6	4.5	3.0		
PRIOX 350/11 XS AUT		20.0	18.0	16.0	14.0	12.0	9.8	7.3	4.6	2.0

PRIOX XS

DRENA-LINE DIRTY WATER

MECHANICAL DATA

Free passage	40 mm	Pump housing	Stainless steel X5 CrNi 1810 (AISI 304)
Bearing	Self-lubricating ball bearings.	Mechanical seal	Silicon carbide
Oil chamber	Yes	Counterface	Silicon carbide. Lubricated in oil chamber.
Shaft	Stainless steel X5 CrNiS 1809 (AISI 416)	Type of liquid	discharge water with solids
Impeller	Stainless steel X5CrNi18-10 (AISI 304)	Temperature of the liquid max.	40 °C
		Diving depth	7 m

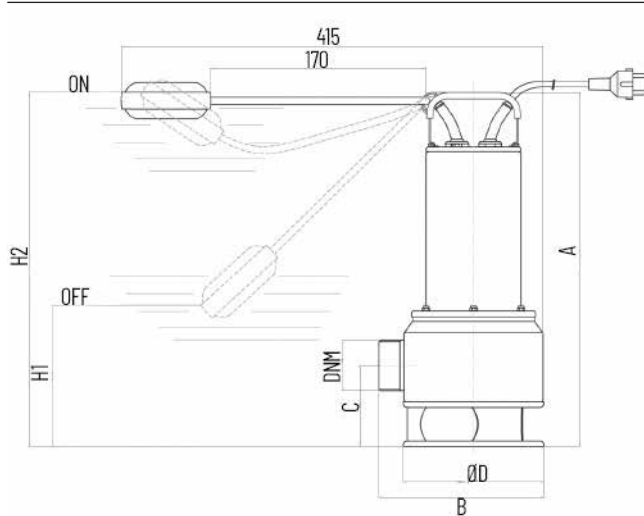
ELECTRICAL DATA

Voltage	1/N/PE~230 V	Insulation class	F
Power line	10m H07RN-F	Rotation speed	2850 rpm
Type of enclosure	IP 68		

PRIOX XS

Type	Code No.	Motor rating		Current	Weight
		P1	P2		
PRIOX 250/9 XS AUT	N2091210	0.9 kW	0.6 kW	4.1 A	9.8 kg
PRIOX 350/11 XS AUT	N2091220	1.3 kW	0.9 kW	5.8 A	11.2 kg

PRIOX XS AUT



DIMENSIONS [mm]

Type	A	B	C	D	H1	H2	DNM
PRIOX 250/9 XS AUT	389	196	96	168	250	370	1 1/2" GAS
PRIOX 350/11 XS AUT	419	196	96	168	300	400	2" GAS

PRIOX

DRENA-LINE DIRTY WATER

- Automatic airventing
- Completely in stainless steel
- Large free passage
- Reliable vortex impeller
- Powerful pump
- Wide range



DESCRIPTION

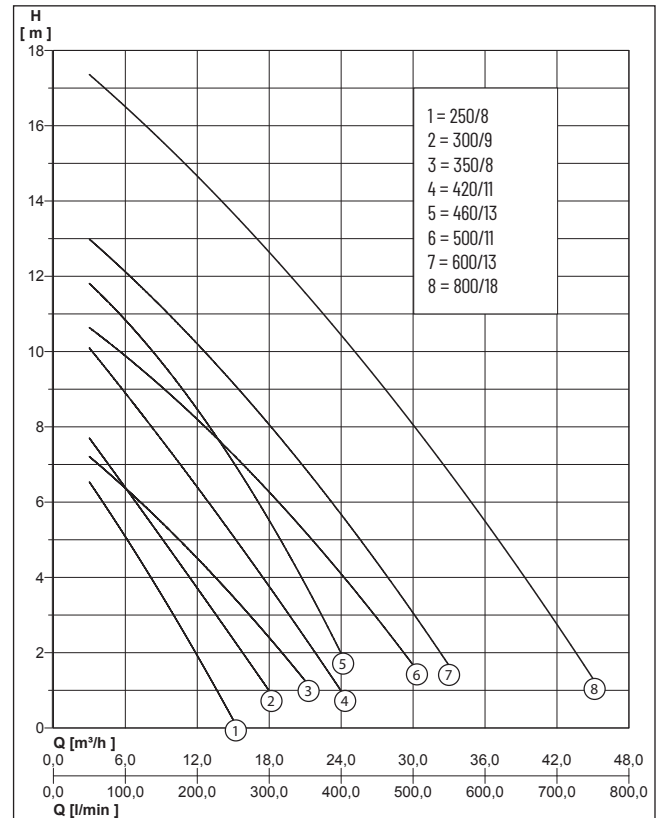
The PRIX series pumps are made completely with stainless steel AISI 304. They operate completely immersed in the liquid to be pumped, which provides for the cooling of the motor from the outside. Made with a retreated impeller on the principle of vortex operation. Automatic version (AUT) equipped with float switch.

Minimum drying level 60 mm (in manual version).

APPLICATIONS

- All lifting and emptying operations of dirty water with suspended solids.
- Lifting stations with one or more pumps for agricultural and civil use.

PERFORMANCE



Type	Delivery head H [m]	2	3	4	5	6	7	8	9	10	11	12	14	16
PRIX 250/8 M	Flow rate Q [m ³ /h]	11.8	10.0	8.2	6.2	4.2	2.0							
PRIX 300/9 M/T		15.6	13.5	11.6	9.0	6.8	4.7	2.7						
PRIX 420/11 M/T		21.5	19.6	17.8	15.5	13.0	10.5	8.1	5.7	3.5				
PRIX 460/13 M/T			22.4	20.6	18.9	17.0	15.1	13.8	10.8	8.2	5.5			
PRIX 50-350/8 M/T			16.5	13.5	10.5	7.1	3.7							
PRIX 50-500/11 M/T		29.1	26.8	24.3	21.5	18.8	15.8	12.5	9.0	5.5				
PRIX 50-600/13 T		32.1	30.0	28.0	25.5	23.2	20.5	18.2	15.1	12.5	9.7	6.3		
PRIX 50-800/18 T				39.0	36.9	34.8	31.0	30.0	27.5	25.0	22.8	19.9	14.0	7.8

PRIOX

DRENA-LINE DIRTY WATER

MECHANICAL DATA

Bearing	Self-lubricating ball bearings.	Submersible	Yes
Oil chamber	Yes	Mechanical seal	Silicon carbide. Lubricated in oil chamber.
Shaft	Stainless steel	Counterface	Silicon carbide. Lubricated in oil chamber.
Impeller	Stainless steel X5CrNi18-10 (AISI 304)	Type of liquid	discharge water with solids
Pump housing	Stainless steel Europe: EN10088-1 X 5 CrNi 1810 (1.4301) USA: AISI 304	Temperature of the liquid max.	40 °C
		Diving depth	7 m

ELECTRICAL DATA

Power line	10m H07RN-F	Insulation class	F
Type of enclosure	IP 68	Rotation speed	2850 rpm

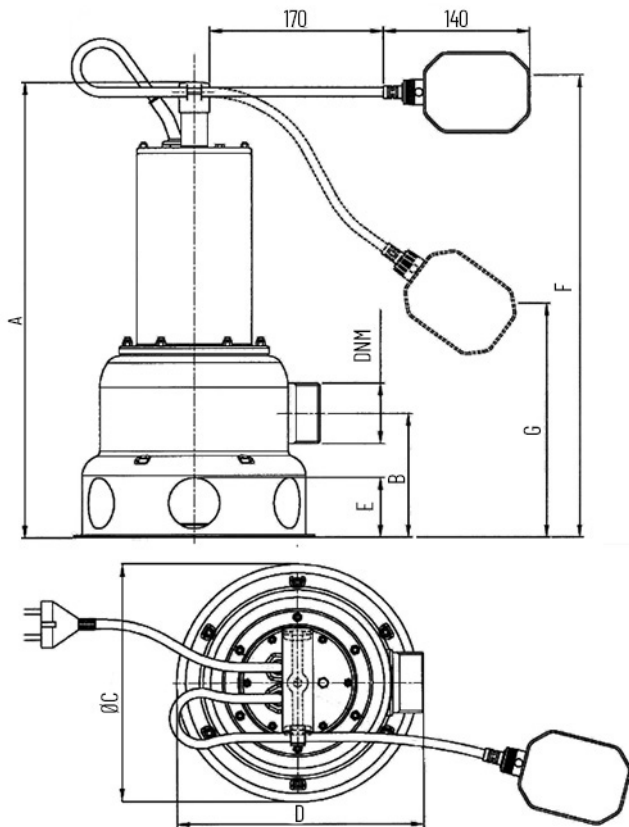
PRIOX

Type	Code No.	Voltage	Motor rating		Current	Free passage	Weight
			P1	P2			
PRIOX 250/8 M	N2110100	1/N/PE~230 V	0.80 kW	0.55 kW	3.60 A	40 mm	9.4 kg
PRIOX 250/8 M AUT	N2110110	1/N/PE~230 V	0.80 kW	0.55 kW	3.60 A	40 mm	9.4 kg
PRIOX 300/9 M	N2110040	1/N/PE~230 V	0.90 kW	0.60 kW	4.10 A	40 mm	9.6 kg
PRIOX 300/9 M AUT	N2110050	1/N/PE~230 V	0.90 kW	0.60 kW	4.10 A	40 mm	9.6 kg
PRIOX 300/9 T	N2110090	3/N/PE~400 V	0.90 kW	0.60 kW	1.55 A	40 mm	9.6 kg
PRIOX 420/11 M	N2110020	1/N/PE~230 V	1.30 kW	0.90 kW	6.00 A	40 mm	11.2 kg
PRIOX 420/11 M AUT	N2110030	1/N/PE~230 V	1.30 kW	0.90 kW	6.00 A	40 mm	11.2 kg
PRIOX 420/11 T	N2110080	3/N/PE~400 V	1.30 kW	0.90 kW	2.30 A	40 mm	11.2 kg
PRIOX 460/13 M	N2110000	1/N/PE~230 V	1.60 kW	1.10 kW	7.20 A	40 mm	11.7 kg
PRIOX 460/13 M AUT	N2110010	1/N/PE~230 V	1.60 kW	1.10 kW	7.20 A	40 mm	11.7 kg
PRIOX 460/13 T	N2110070	3/N/PE~400 V	1.45 kW	1.00 kW	2.40 A	40 mm	11.7 kg
PRIOX 50-350/8 M	N2110140	1/N/PE~230 V	1.00 kW	0.65 kW	3.80 A	50 mm	9.6 kg
PRIOX 50-350/8 M AUT	N2110150	1/N/PE~230 V	1.00 kW	0.65 kW	3.80 A	50 mm	9.6 kg
PRIOX 50-350/8 T	N2110160	3/N/PE~400 V	0.98 kW	0.65 kW	1.70 A	50 mm	9.6 kg
PRIOX 50-500/11 M	N2110170	1/N/PE~230 V	1.55 kW	1.00 kW	7.00 A	50 mm	11.7 kg
PRIOX 50-500/11 M AUT	N2110180	1/N/PE~230 V	1.55 kW	1.00 kW	7.00 A	50 mm	11.7 kg
PRIOX 50-500/11 T	N2110190	3/N/PE~400 V	1.40 kW	1.00 kW	2.40 A	50 mm	11.7 kg
PRIOX 50-600/13 T	N2110060	3/N/PE~400 V	1.80 kW	1.20 kW	3.10 A	50 mm	12.6 kg
PRIOX 50-800/18 T	N2110130	3/N/PE~400 V	3.00 kW	2.40 kW	5.50 A	50 mm	20.2 kg

PRIOX

DRENA-LINE DIRTY WATER






PRIOX AUT



DIMENSIONS [mm]

Type	A	B	C	D	F	G	DNM	E
PRIOX 250/8 M	420	122,5	235	249			1 1/2"	63
PRIOX 250/8 M AUT	420	122,5	235	249	550	290	1 1/2"	63
PRIOX 300/9 M/T	420	122,5	235	249			2"	63
PRIOX 300/9 M AUT	420	122,5	235	249	550	290	2"	63
PRIOX 420/11 M/T	450	122,5	235	249			2"	63
PRIOX 420/11 M AUT	450	122,5	235	249	550	290	2"	63
PRIOX 460/13 M/T	450	122,5	235	249			2"	63
PRIOX 460/13 M AUT	450	122,5	235	249	580	320	2"	63
PRIOX 50-350/8 M/T	420	122,5	235	249			2"	63
PRIOX 50-350/8 M AUT	420	122,5	235	249	550	290	2"	63
PRIOX 50-500/11 M/T	450	122,5	235	249			2"	63
PRIOX 50-500/11 M AUT	450	122,5	235	249	550	290	2"	63
PRIOX 50-600/13 T	450	122,5	235	249			2"	63
PRIOX 50-800/18 T	485	122,5	235	249	580	320	2"	63

ACCESSORIES

			Code No.
1 PUMP			
	Easycontroller D10-110	Priox 50-350/8 T, Priox 50-500/11 T	UZQ14080
	Easycontroller D10-150	Priox 50-600/13 T	UZQ14090
	Easycontroller D10-220	Priox 50-800/18 T	UZQ14100
	Easycontroller M10-240 VB	Priox 50... M	UZQ14110-1
2 PUMPS			
	Easycontroller D20-110	Priox 50-350/8 T, Priox 50-500/11 T	UZQ14150
	Easycontroller D20-150	Priox 50-600/13 T	UZQ14140
	Easycontroller D20-220	Priox 50-800/18 T	UZQ14130
	Easycontroller D20-240 VB	Priox 50... M	UZQ14120-1
	Optical and acoustic alarm		UZA00200
Microstart			
	Float switch MICROSTART 3-3 Emptying/Filling		ZA000590
	Float switch MICROSTART 10-3 Emptying/Filling		ZA008510
	Float switch for sewage water		ZA010600
	Counterweights for float		ZA000820
	2" Coupling foot		ZA009720
Hose connection			
	Elbow hose connection	1" 1/4 female ø 30 mm	ZA000900
	Elbow hose connection	1" 1/2 female ø 40 mm	ZA000910
	Elbow hose connection	2" female ø 50 mm	ZA000920
Ball check valve			
	Ball check valve	Stainless steel 1" 1/2 F	ZA009320
	Ball check valve	Stainless steel 2" F	ZA009310

EASYCONTROLLER

DRENA-LINE

- Three configurations: surface, submersible, drainage
- Single phase and three phase
- 1 or 2 pumps
- Remote controls (BMS)
- Universal control unit
- Made in Italy



DESCRIPTION

EASYCONTROLLER control panels are indicated for residential and industrial applications and they control single and three phase electric pumps installed as:

1 or 2 surface pumps or boosters for pressurizing

1 or 2 drainage pumps or boosters for sewage

ELECTRICAL DATA

Ambient temperature max.	50 °C	Frequency	50 Hz
--------------------------	-------	-----------	-------

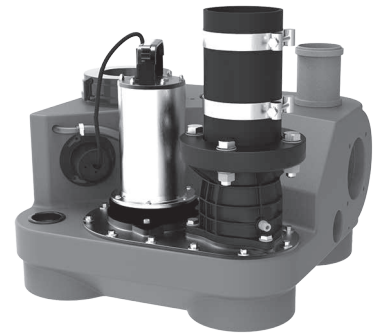
EASYCONTROLLER

Type	Code No.	Voltage	Motor rating P2	2xP2	Motor protection	Type of enclosure	HxWxL[mm]	Weight
Control for 1 pump								
EASYCONTROLLER M10-240	UZQ14010	1/N/PE~230 V	2.4 kW	-	1 ... 13 A	IP6X	200 x 100 x 170	1.2 kg
EASYCONTROLLER D10-110	UZQ14080	3/N/PE~230 V	0.5 kW	-	1.6 ... 2.5 A	IP 54	335 x 150 x 250	6.9 kg
		3/N/PE~400 V	1.1 kW					
EASYCONTROLLER D10-150	UZQ14090	3/N/PE~230 V	1.0 kW	-	2.5 ... 4 A	IP 54	335 x 150 x 250	6.9 kg
		3/N/PE~400 V	1.5 kW					
EASYCONTROLLER D10-220	UZQ14100	3/N/PE~230 V	1.5 kW	-	4 ... 6.3 A	IP 54	335 x 150 x 250	6.9 kg
		3/N/PE~400 V	2.2 kW					
EASYCONTROLLER D10/110-400	UZQ14110	3/N/PE~230 V	2.4 kW	-	6.3 ... 10 A	IP 54	335 x 150 x 250	6.9 kg
		3/N/PE~400 V	4.0 kW					
EASYCONTROLLER D10/750	UZQ14210	3/N/PE~230 V	4.0 kW	-	10 ... 16 A	IP 54	335 x 150 x 250	6.9 kg
		3/N/PE~400 V	7.5 kW					
Control for 2 pumps								
EASYCONTROLLER M20-240	UZQ14020	1/N/PE~230 V	-	2.4 kW	1 ... 13 A	IP6X	200 x 100 x 170	1.2 kg
EASYCONTROLLER D20-110	UZQ14150	3/N/PE~230 V	-	0.5 kW	1.6 ... 2.5 A	IP 54	335 x 150 x 250	6.9 kg
		3/N/PE~400 V		1.1 kW				
EASYCONTROLLER D20-150	UZQ14140	3/N/PE~230 V	-	1.0 kW	2.5 ... 4 A	IP 54	335 x 150 x 250	6.9 kg
		3/N/PE~400 V		1.5 kW				
EASYCONTROLLER D20-220	UZQ14130	3/N/PE~230 V	-	1.5 kW	4 ... 6.3 A	IP 54	335 x 150 x 250	6.9 kg
		3/N/PE~400 V		2.2 kW				
EASYCONTROLLER D20-400	UZQ14120	3/N/PE~230 V	-	2.4 kW	6.3 ... 10 A	IP 54	335 x 150 x 250	6.9 kg
		3/N/PE~400 V		4.0 kW				
EASYCONTROLLER D20-750	UZQ14220	3/N/PE~230 V	-	4.0 kW	10 ... 16 A	IP 54	450 x 230 x 320	9.7 kg
		3/N/PE~400 V		7.5 kW				

COMPLI 310 E

DRENA-LINE LIFTING STATION

- Ready to connect
- Submersible
- Auxiliary inlets vertical/ horizontal
- With swing-type check valve mounted
- Light weight
- Less space requirement
- PE-tank
- Vortex impeller
- Smart home compatible



DESCRIPTION

The compli 310 E is the smallest sewage lifting station of our compli series. It has been designed for the disposal of sewage from housing units like basement dwellings. The compli 310 E is all-purposed, due to compact dimensions of its tank and numerous connection facilities.

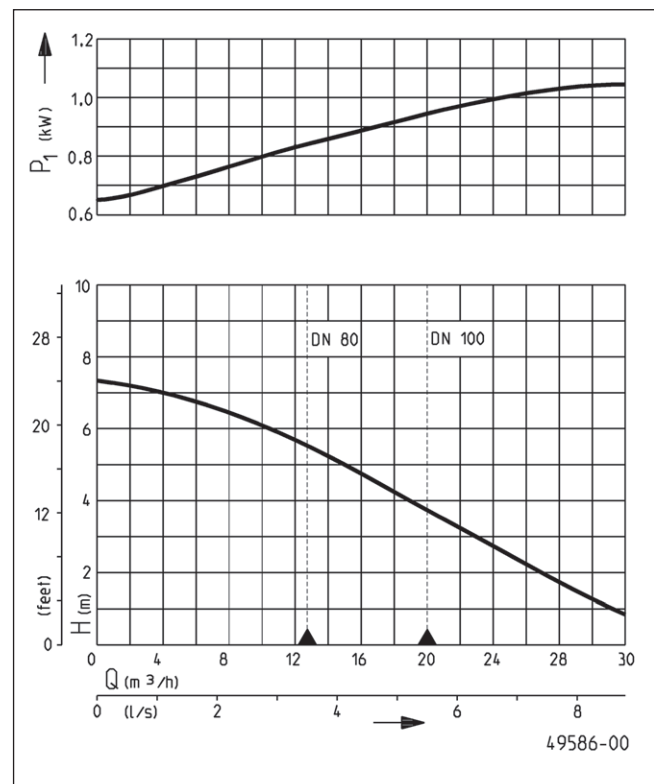
The low weight and the plug with integrated control board ensures a facile installation, so that an electrician is not needed to start running the unit.

The submersible unit permits a general application in rooms which could be flooded.

The connector housing with integrated control unit must be installed in rooms which are well ventilated and cannot be flooded.

The powerful alternating current motor of the compli 310 E is based on a rugged grey cast iron volute housing vat which grant a special stability and quiet running.

PERFORMANCE



Type	Delivery head H [m]	1	2	3	4	5	6
compli 310 E	Flow rate Q [m ³ /h]	30	27	23	19	15	11

We reserve the right to change specifications without notice. Pump performance is subject to ISO 9906 tolerances

The minimum flow velocity in the pressure piping must be 0.7 m/s according to EN 12056. This data is represented in the performance curve as a limit of application.

COMPLI 310 E

DRENA-LINE LIFTING STATION

SCOPE OF SUPPLY

Ready to connect sewage disposal unit acc. to EN 12050-1 with clamp flange DN 100 for inlet height 180 mm, additional inlets DN 100/50 horizontal and vertical, submersible pump and flange DN 80 with piece of pipe \varnothing 90 mm, with integrated swing-type check valve DN 80, one elastic connection hose band clamps for plastic

pipe DN 80 and for pressure pipe DN 70, autom. level control, control unit (type of enclosure IP 44) with mains-dependent alarm buzzer, stand-by LED, hand-0-automatic selector switch and potential free NO contact for an additional alarm.

MECHANICAL DATA

Pump	Vertical single-stage	Pump housing	Grey cast iron
Free passage	50 mm	Submersible	Yes
Pressure pipe	DN 80	Pressure outlet	DN 80
Shaft	Stainless steel	Tank capacity	50 l
Impeller	Vortex impeller, stainless steel	Weight	31 kg
Motor housing	Stainless steel		

ELECTRICAL DATA

Voltage	1/N/PE~230 V	Wires	4G1,0
Motor rating P1	1.2 kW	Type of enclosure	IP 68
Motor rating P2	0.98 kW	Insulation class	F
Current	4.5 A	Winding thermostat	Yes
Power line	4m H07RN-F	Plug	Safety

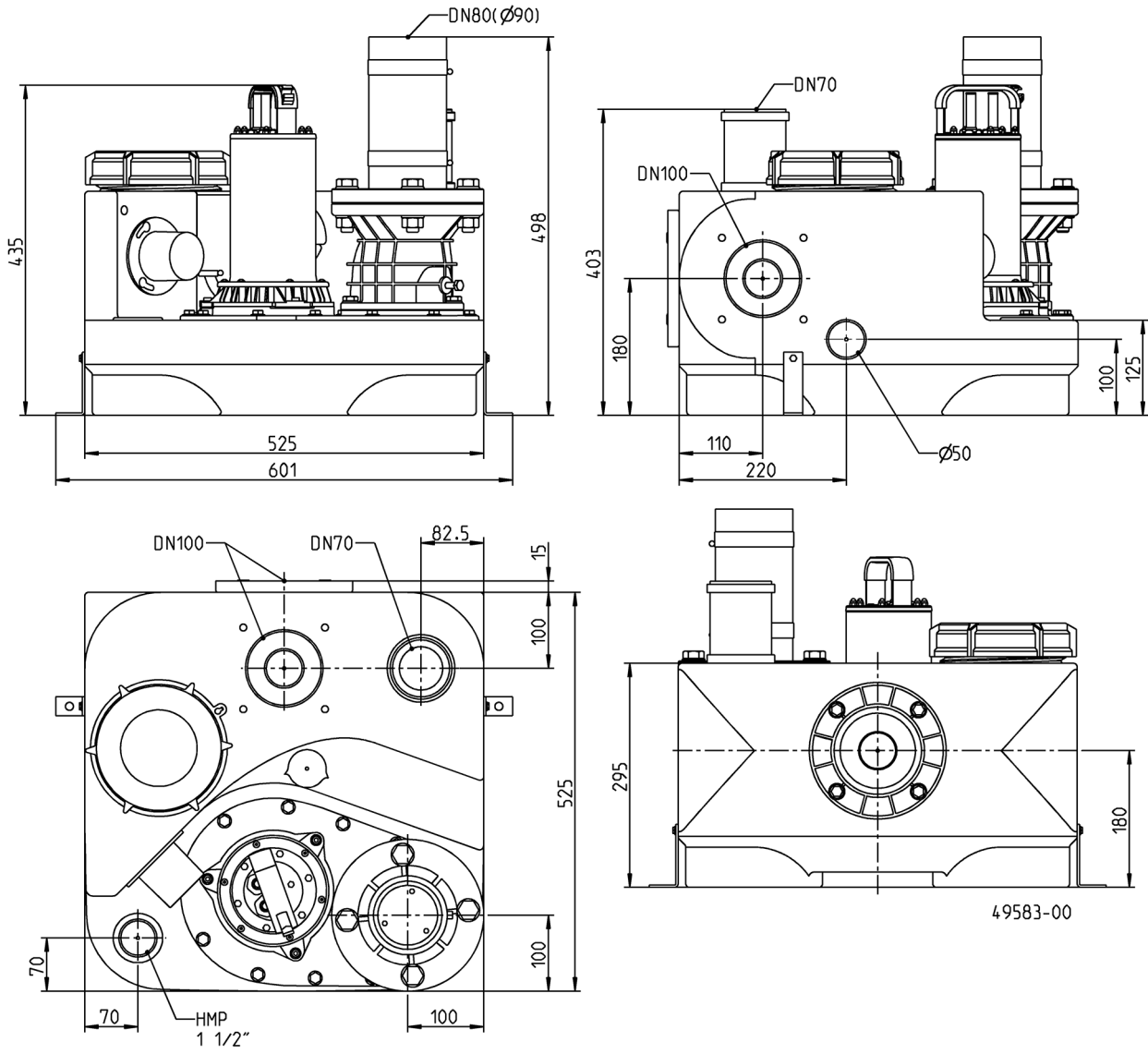
COMPLI 310 E

Type	Code No.
compli 310 E	JP50077

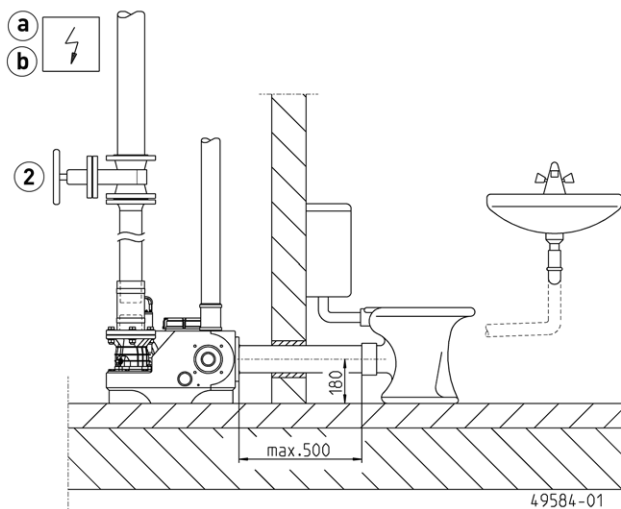
COMPLI 310 E

DRENA-LINE LIFTING STATION

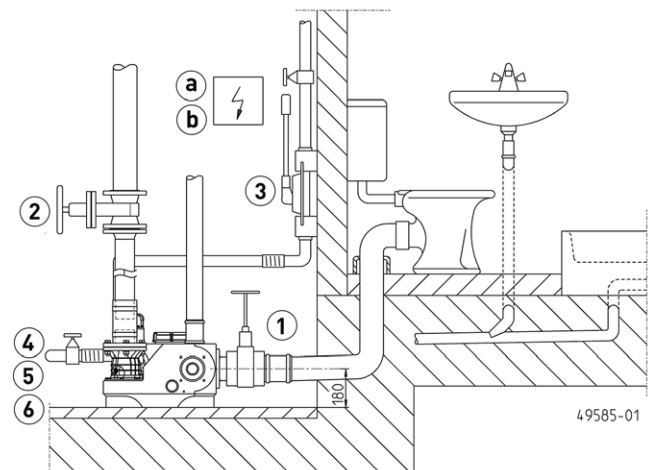
Dimensions with swing-type check valve (mm)



Example of installation



Example of installation



COMPLI 310 E

DRENA-LINE LIFTING STATION

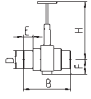
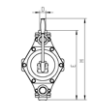
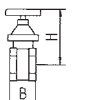
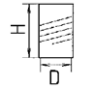

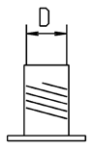
The Compli has a DN 80/PN 4 outlet flange. The following stop valve and pipework are installed in DN 80.

In keeping with the construction and testing principles of European standard EN 12050, sewage lifting stations are to be used for the transport of faecal matter and domestic wastewater in building drainage systems as described in German standard DIN 1986 T3. In keeping with the stipulations of European standard EN 12056-4 they have to be mounted with collecting tanks inside building permitting a free space of 60 cm for operation and

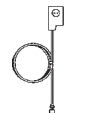


repair. The pressure pipe has to be passed above the locally defined backpressure level and a non-return valve tested in keeping with European standard 12050-4 has to be mounted. In keeping with European standard 12056 the ventilation pipe has to be passed up to the roof.

Attention! The inlet pipes of the lowlateral inlets must be equipped with a dam loop. This loop must have at least a height of 180 mm between ground and invert. The feed line must be ventilated on its highest elevation.

MECHANICAL ACCESSORY

				Code No.
	① Inlet gate valve PVC	with two pipe sockets, DN 100, PN1	360x295 (HxW)	JP28297
	② Sluice valve	DN 80, PN 10, EN 1171	315x180 (HxB)	JP00639
	③ Hand diaphragm pump	for emergency purposes (up to H geod 15 m)	640x1½" (HxD)	JP00255
	④ Stop valve	brass, 1½" (DN 40), PN 16	125x60 (HxB)	JP44786
	⑤ Elastic connection	1½" (DN 40), PN 4	120x50 (HxD)	JP44777
	⑥ Hose band clamp	1½"		JP44763
	⑦ Connection kit	DN 100	D=110	JP42910

ELECTRICAL ACCESSORY

			Code No.
	① Alarm unit		
	AGR	reed switch, mains dependent, potential-free contact, 4 m cable	JP44893
	② Rechargeable battery	for mains independent alarm	JP44850
	③ Smart Home	FTJP radio transmitter	JP47209

COMPLI 1100 E

DRENA-LINE LIFTING STATION

- Ready to connect
- Submersible
- Auxiliary inlets vertical/horizontal
- Duplex swing-type check valve mounted
- Light weight
- PE-tank
- Vortex impeller
- Low space requirement
- Smart home compatible



DESCRIPTION

The sewage lifting unit compli 1100 E is designed for the use in multi-storey dwellings and in commercial buildings. Special attention was given to the ease of handling, a compact shelving and a simple and uncomplicated installation.

The submersible unit offers the installation and operation in flood prone areas. The control unit must be installed a well ventilated and flood-proof room.

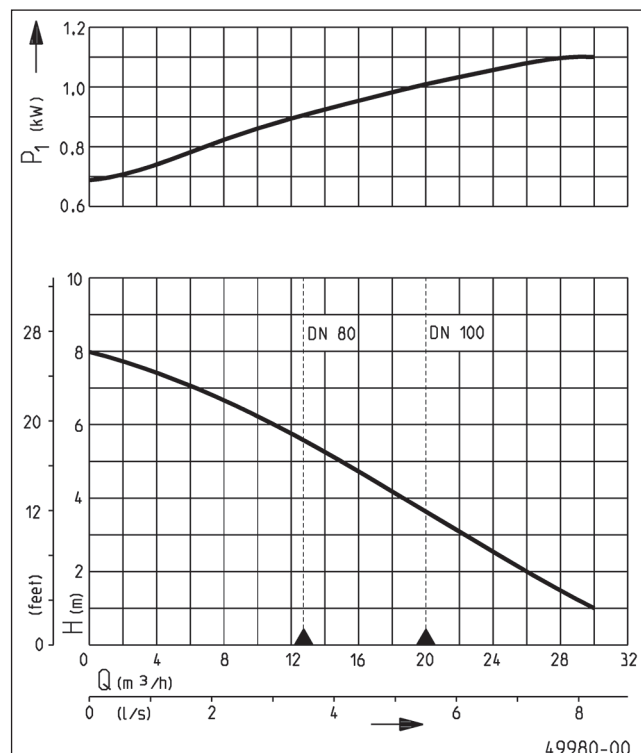
The high-grade PE tank has freely accessible connections, an overhead cleaning opening and an inlet socket for an easy installation. On grounds of the various connecting options the units fit ideally in all sites. The inlet height can be adjusted infinitely between 180 and 250 mm.

The high-performance single-phase a.c. motors of the duplex unit rest on grey iron rings which provide together with the integrated hydraulic an outstanding rigidity and quietness.

The two pumps operate alternating but can also work in parallel should a peak load occur or a stand by operation be necessary.

The FTJP radio transmitter can be connected to the potential-free contact of the control unit. It is now possible to monitor (e.g. the alarm message) with an EnOcean-capable smart home gateway (Wibutler, Afriso, Homee).

PERFORMANCE



Type	Delivery head H [m]	1	2	3	4	5	6
compli 1100 E	Flow rate Q [m³/h]	30	26	22	19	15	11

We reserve the right to change specifications without notice. Pump performance is subject to ISO 9906 tolerances

The minimum flow velocity in the pressure piping must be 0.7 m/s according to EN 12056. This data is represented in the performance curve as a limit of application.

COMPLI 1100 E

DRENA-LINE LIFTING STATION

SCOPE OF SUPPLY

Ready for plug in sewage lifting unit according to EN 12050 with vertically adjustable inlet socket DN 100 (inlet heights 180 to 250 mm), additional inlets DN 100/50 horizontal and vertical, two built-on subm. sewage pumps and connecting flange DN 80 with pipe flange outer Ø 90 mm, pre-installed DN 80 duplex non-return valve, elastic connection c/w hose clamps for plastic pressure pipe DN 80 and a slip-on-sleeve for the DN 70 ventilation pipe, automatic level control, control unit (degree of protection IP 44),

alternating pump operation including peak load function, motor protection, contactors, transformer, mains-dependent alarm system, potential-free NO contact for collective failure messages, optical display of alarm and operation, 2 Hand -0-Automatic switches.

Cable length between tank and control unit 4 m. Supply cable with plug: 1,5 m.

MECHANICAL DATA

Pump	Vertical single-stage	Pump housing	Plastic, grey cast iron
Free passage	50 mm	Submersible	Yes
Pressure pipe	DN 80	Pressure outlet	DN 80
Shaft	Stainless steel	Tank capacity	90 l
Impeller	Vortex impeller, stainless steel	Weight	65 kg
Motor housing	Stainless steel		

ELECTRICAL DATA

Voltage	1/N/PE~230 V	Wires	4G1,0
Motor rating P1	1.2 kW	Type of enclosure	IP 68
Motor rating P2	0.98 kW	Insulation class	F
Current	4.5 A	Winding thermostat	Yes
Power line	4m H07RN-F	Plug	Safety

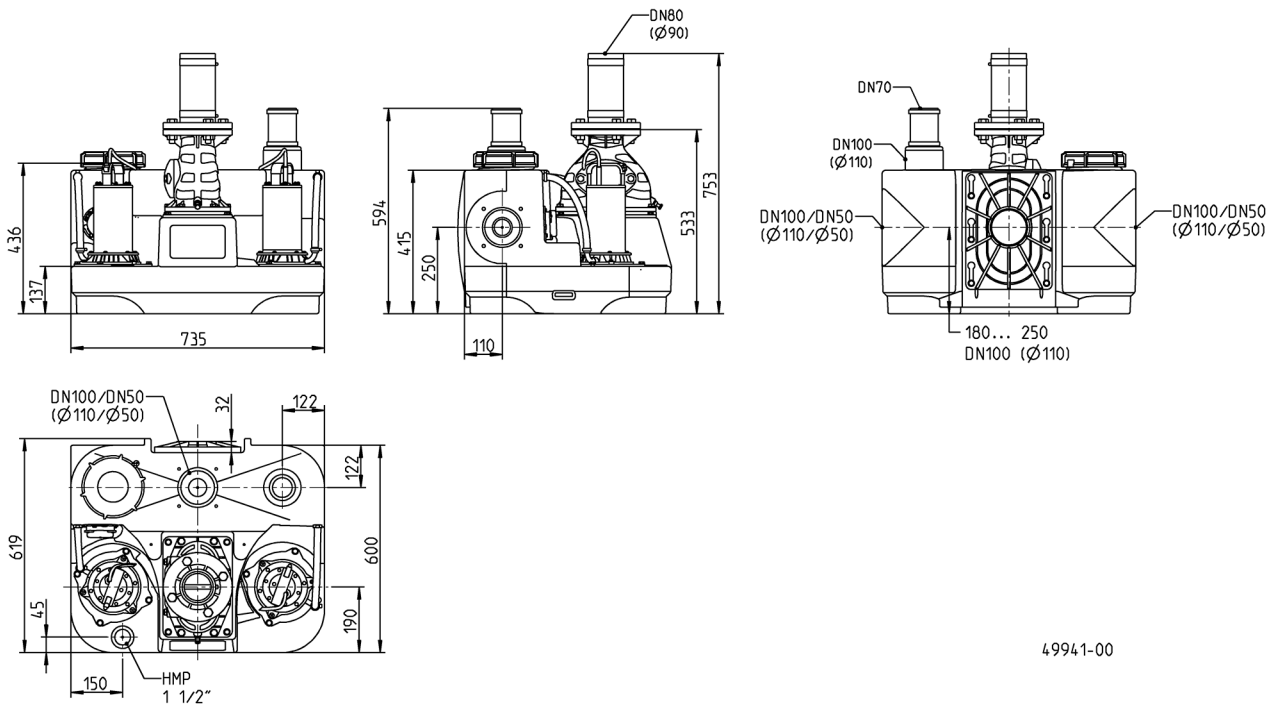
COMPLI 1100 E

Type	Code No.
compl 1100 E	JP50087

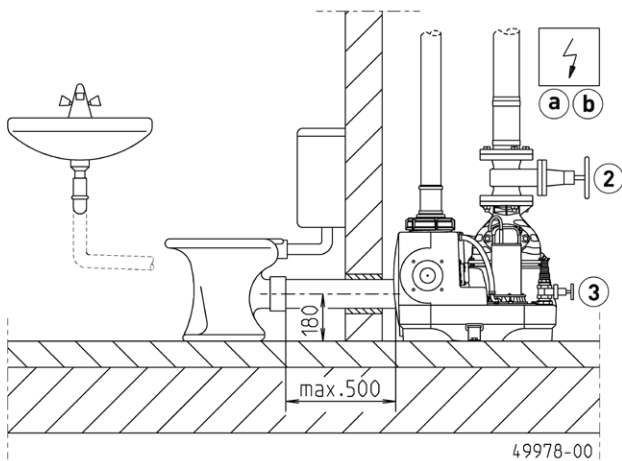
COMPLI 1100 E

DRENA-LINE LIFTING STATION

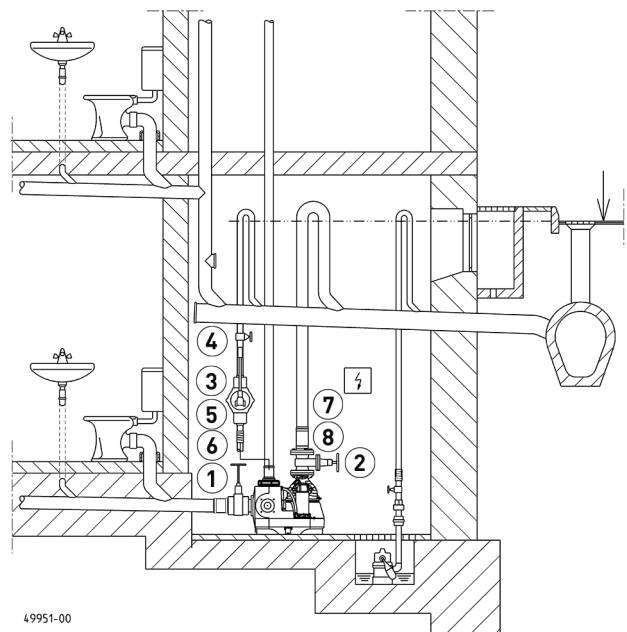
Dimensions with swing-type check valve (mm)



Example of installation



Example of installation



COMPLI 1100 E

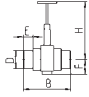
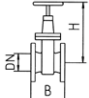
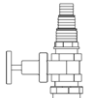
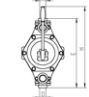
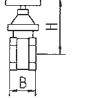
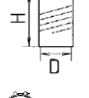
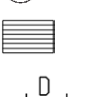

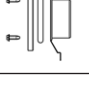

DRENA-LINE LIFTING STATION

The Compli has a DN 80/PN 4 outlet flange. The following stop valve and pipework are installed in DN 80.
 In keeping with the construction and testing principles of European standard EN 12050, sewage lifting stations are to be used for the transport of faecal matter and domestic wastewater in building drainage systems as described in German standard DIN 1986 T3. In keeping with the stipulations of European standard EN 12056-4 they have to be mounted with collecting tanks inside building permitting a free space of 60 cm for operation and

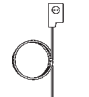


repair. The pressure pipe has to be passed above the locally defined backpressure level and a non-return valve tested in keeping with European standard 12050-4 has to be mounted. In keeping with European standard 12056 the ventilation pipe has to be passed up to the roof.

Attention! The inlet pipes of the lowlateral inlets must be equipped with a dam loop. This loop must have at least a height of 180 mm between ground and invert. The feed line must be ventilated on its highest elevation.

MECHANICAL ACCESSORY

				Code No.
	① Inlet gate valve PVC	with two pipe sockets, DN 100, PN1	360x295 (HxW)	JP28297
	② Sluice valve	DN 80, PN 10, EN 1171	315x180 (HxB)	JP00639
	③ Connection for emergency de-watering	with stop valve and hose connection 1", 1¼" and 1½"		JP49138
	Hand diaphragm pump	for emergency purposes (up to H geod 15 m)	640x1½" (HxD)	JP00255
	④ Stop valve	brass, 1½" (DN 40), PN 16	125x60 (HxB)	JP44786
	⑤ Elastic connection	1½" (DN 40), PN 4	120x50 (HxD)	JP44777
	⑥ Hose band clamp	1½"		JP44763
	⑦ Adapter ring	DN 80-DN 80 SML		JP50173
	⑧ Connection kit	DN 100	D=110	JP42910
	⑨ Opening set	DN 100, required for lateral connection		JP50172

ELECTRICAL ACCESSORY

			Code No.
	a Alarm unit		
	AGR	reed switch, mains dependent, potential-free contact, 4 m cable	JP44891
	b Rechargeable battery	for mains independent alarm	JP44850
	c Smart Home	FTJP radio transmitter	JP47209

PROPUMPSIZER

SELECTION SOFTWARE

"ProPumpSizer" is a new, expanded planning tool to help you select the right size of pump. The ProPumpSizer combines an intelligently designed selection system with detailed product data and clearly structured calculation methods. A wide range of new functions and up-to-date data are just some of the many advantages offered by this new tool.

The user can make a selection in different ways, based on the operating point, type of application or product name. The hydraulically based selection determines the operating point, which is then shown as pump and system characteristic curves. The user is then guided through various menus, to select the valves, pipelines and wastewater units to be connected, until the desired result is found.

As well as providing specification texts, data sheets and characteristic curves, the comprehensive database also includes software for quotation texts and prices. The user is also provided with suggestions regarding useful and relevant pump accessories. The integrated software for the preparation of quotations allows changes to be made manually to the prices and text passages, and new items can be added as required. The user management system allows each registered user to select the specific features that he/she requires. The software supports many other languages in addition to Italian German and English.

PROPUMPSIZER.COM



GENERAL SALES CONDITIONS

I. Definitions

“**Conditions**” means the standard terms and conditions of sale set out in this document and (unless the context otherwise requires) includes any special terms and conditions agreed in writing between the Purchaser and Pentair, and “**Contract Terms**” has the same meaning.

“**Confidential Information**” means any information that is treated as confidential by either party, including trade secrets, technology, information pertaining to business operations and strategies, and information pertaining to customers, pricing and marketing.

“**Contract**” means the contract for the purchase and sale of the Goods and “**Agreement**” has the same meaning.

“**Goods**” means the goods and/or services which Pentair is to supply in accordance with these Conditions.

“**Parties**” means Pentair and Purchaser.

“**Pentair**” means the party who will sell and supply the Goods to the Purchaser in accordance with these Conditions.

“**Purchaser**” means the party whose order for the Goods is accepted by Pentair in accordance with these Conditions.

II. General

All business transactions between the Parties are governed by these Contract Terms, unless special written agreements are entered into before order confirmation in individual cases. The terms and conditions of the Purchaser are not binding upon Pentair, unless agreed to by Pentair in writing and before order confirmation.

III. Conclusion of Contract

1. Pentair’s offers are limited to those Goods explicitly listed in the offer and strictly exclude any building, assembly or installation work not mentioned, including installation material or site work. Consultation or offers are free of charge and to the best of the Pentair’s knowledge, but non-binding. All documentation accompanying offers remains Pentair’s property. Documentation may not be copied or disclosed to third parties without Pentair’s permission and shall, on request, be returned without delay.

2. No order or variation shall be binding on Pentair unless and until accepted in writing by Pentair, and only then shall it constitute the Contract. No agent or other representative of Pentair has any authority from Pentair to make or vary any agreement on behalf of Pentair, unless subsequently notified by Pentair in writing. Every order or variation accepted by Pentair includes only such Goods as are expressly specified or incorporated in Pentair’s written acceptance.

4. Pentair may, from time to time, agree to build products to Purchaser’s specifications. In such a case Purchaser shall always be responsible for all expenses incurred by Pentair to comply with Purchaser’s specification, such as, but not limited to expenses incurred for tooling (jigs, dies, tools, molds and patterns), expenses related to ordering of raw materials, components or other parts and any other commitments entered into by Purchaser, even during the preparatory phase when no firm Contract is in place. Purchaser shall at all times be obliged to purchase and pay for all customized products that are produced by Pentair. Unless otherwise agreed in writing, any equipment (including, but not limited to jigs, dies, tools, molds and patterns) made for the manufacture of customer specified products shall be, and remain, the sole property of Pentair, notwithstanding that Purchaser may have been charged for all or part of the cost therefore.

5. No price list, quotation, estimate or tender issued by Pentair shall constitute an offer to sell the Goods. Any order placed by the Purchaser in response to such a price list, quotation, estimate or tender shall constitute an offer made to Pentair in accordance with the Contract Terms and shall only be binding on Pentair if it is accepted by Pentair in writing and shall then constitute the Contract. Without limiting the foregoing, Pentair reserves the right at any time before a binding Contract has been entered to alter its price. This right includes the right to alter any published price or price list prices without prior notice.

6. Orders received and accepted by Pentair shall not be subject to cancellation without Pentair’s consent, and cancellation of any Contract to which the Purchaser is a party will not constitute sufficient reason for cancellation of any order placed by the Purchaser.

IV. Delivery and Time for Delivery

1 All delivery times given in written offers or mentioned elsewhere are approximate only and therefore non-binding. The delivery period starts on the day the order is confirmed or when the Purchaser takes cooperative actions which may be required (e.g. payment of an agreed advance payment). The period is interrupted should a payment not be made on time, as agreed, or should the Purchaser not provide outstanding data or specifications needed for the design of the apparatus or plant at the agreed time. The period starts again as soon as Pentair receives the overdue payment or the delayed technical data are transmitted. Non-compliance with the delivery time does not entitle the Purchaser to damages (liquidated or otherwise) or any other form of compensation, nor release the Purchaser from the order.

2 Unforeseen impediments for which Pentair cannot be held responsible irrespective whether they arise in Pentair’s own factory or at a sub-supplier, such as: force majeure events, mobilization, war or other delays for which Pentair cannot be held responsible, such as production faults, general material procurement problems, operational faults, transport delays and similar circumstances preventing on schedule performance at the agreed price, are justified reasons for us to cancel the delivery obligations, fully or in part, or to extend the delivery period by the duration of the obstructions. The Purchaser may withdraw from the Contract should relevant faults lead to a delay in performance of more than 12 months. Other rights of withdrawal shall remain unaffected thereby.

V. Prices

Unless otherwise stated in these Contract Terms, the Contract price of the Goods is FCA, Pentair’s warehouse or factory (Incoterms 2020) and is deemed to exclude VAT and other taxes, which shall be charged at the rate applicable at the date of the invoice.

VI. Terms of payment

So far as the law permits, where Pentair has not agreed to provide credit to the Purchaser, the Contract price must be paid before dispatch of Goods. Where Pentair has agreed to provide credit, the Contract price must be paid in accordance with the agreed credit

terms or otherwise within thirty (30) days of the date of invoice. Interest will be payable on any sums outstanding after the due date, at the rate of 1.5% per month. Pentair will only accept payments from the Purchaser itself and will not accept (and may return) any payments received from any other parties (including affiliates of the Purchaser).

VII. Retention of title

1. Goods delivered by Pentair remain in Pentair's ownership until all payments due under the Contract have been received.
2. To the extent that ownership of goods is transferred to third parties by incorporation into property and the like, the Purchaser shall cede its claims against such parties to Pentair, as collateral for Pentair's claim, until the latter has been fully settled. With current accounts, the reserved property shall serve as collateral for Pentair's balance claim.

VIII. Intellectual Property Infringement

Pentair will defend Purchaser to the extent of any rightful claim that any Goods furnished under the Contract infringe upon any intellectual property rights, and Pentair will pay all direct damages and costs awarded by a court of competent jurisdiction with respect to such claim. The Purchaser or user must promptly notify Pentair of any such claim, and cooperate fully with Pentair in the defence of such claim, or Pentair will have no duty under this paragraph.

IX. Shipment

Unless the Parties otherwise expressly agree in writing, the following provisions apply: Shipment is always at the risk of the Purchaser. Pentair accepts liability for shipment-related damages only in the event that it carried out the delivery itself and if such damage was caused by at least gross negligence on its side. Pentair shall provide reasonable support to the Purchaser in asserting its claims for compensation against the carrier if shipment was handled by a third party. Such claims should initially be against the carrier (railways, post office, freight forwarder). Replacements are provided only on the basis of a new order at currently valid prices. Any deviations in the delivery note or the invoice as well as transport damage should be reported to us in writing immediately, no later than within 3 days of receipt of the Goods.

X. Confidentiality

Pentair and the Purchaser shall maintain any Confidential Information in strict confidence and shall not disclose the same to any third party or use Confidential Information except for the performance of the Contract and proper and lawful use by the Purchaser (or an affiliate of the Purchaser) of the work or Goods for tenders, sale, manufacture, erection, commissioning and/or servicing of equipment. Nothing contained herein shall preclude the Purchaser from: (a) sharing any or all of the Confidential Information with any of its affiliates or (b) disclosing Confidential Information received from Pentair as part of any work or Goods to the user or their respective employees, directors, agents and/or advisors, to the extent necessary for the performance of the work and provided that they are similarly bound by undertakings of confidence, restricted use and non-disclosure. Further, nothing contained herein shall prevent disclosure of Confidential Information: (a) with a view to complying with the requirements of any applicable law and/or an order of the court or arbitral tribunal or (b) to the extent necessary to resolve a claim or dispute, or to the extent necessary for the Purchaser to resolve a claim or dispute with third parties and/or insurance claims, provided always that the Party so required to disclose any such Confidential Information of the other Party, timely informs and consults the other Party and takes all reasonable steps to minimize the extent of the Confidential Information disclosed and to make such disclosure in confidence.

XI. Liability

1. Notwithstanding anything to the contrary, Pentair's cumulative liability howsoever arising, including under this Contract (including, without limitation, all the obligations related to the schedule and scope of work and deliveries of Goods, warranties and indemnifications, both express and implied, arising from the Contract), in tort (including negligence) or under statute will not exceed the relevant purchase price payable to Pentair under the Contract.
2. Notwithstanding any other provision to the contrary, so far as the law permits, Pentair shall not be liable under this Contract, in contract, under any indemnity, tort (including negligence), by statute or otherwise for loss or damage (whether direct or indirect) of profits, revenues, use, production, contracts, corruption or destruction of data or for any indirect, special or consequential loss or damage whatsoever.

XII. Compliance with Law

1. In performing this Contract, the Purchaser shall comply with all applicable laws, trade embargos, regulations, orders and other restrictions and without limiting the generality of the foregoing, do the following: (a) the Purchaser shall comply with the various national and local laws and regulations concerning occupational health, safety and pollution affected by the use, installation and operation of the Goods and other matters over which Pentair has no control, and (b) Pentair assumes no responsibility for compliance with those laws and regulations, whether by way of indemnity, warranty or otherwise.
2. Unless otherwise expressly agreed in writing, the Purchaser shall ensure and procure that it has all licenses, consents, approvals, permissions and authorizations ("**Licenses**") required in respects of the Goods.
3. Notwithstanding any provision in these Conditions to the contrary, Purchaser acknowledges to have understood Pentair's position of no transactions with Cuba, Iran, North Korea, Syria, and the disputed regions of Crimea, Donetsk and Luhansk ("**Pentair's Position**"), and confirms that it will comply with Pentair's Position on any transactions involving the Goods.
4. Purchaser agrees not to sell, export or transfer any Goods (including, without limitation, any technical information or services supplied) to any other countries except in full compliance with all applicable governmental requirements, including but not limited to applicable US export, US re-export legislation, and measures administered by the United Kingdom, the European Union and its Member States, or the government agencies of any other countries. Any violation by the Purchaser or the end customer, of the applicable laws or regulations of the US or any other government, or where the Purchaser breaches Pentair's Position, notwithstanding whether or not this is contrary to any aforementioned applicable laws or regulations, shall be deemed a material breach of this Contract and sufficient basis for Pentair to reject any or all orders or to terminate this Contract. Compliance with applicable legal requirements and Pentair's

Position is a prerequisite for Pentair to perform its obligations under this Contract, and if the Purchaser fails to comply with such legal requirements, then the Purchaser is incapable of meeting its obligations with Pentair and therefore is in breach of this Contract.

5. The Parties intend that no payments or transfers of value shall be made which have the purpose or effect of public or commercial bribery, acceptance of or acquiescence in extortion or kickbacks or other unlawful or improper means of obtaining business. The Parties will not, directly or indirectly, pay, offer, authorize or promise any monies or anything of value (such as gifts, contributions, travel, or entertainment) to any person or organization, including any employee of Pentair or Pentair's customers, or any government official (which includes any employee or official of any governmental authority, government owned or controlled entity, public international organization or political party or any candidate for political office) for the purpose of influencing their acts or decisions. Purchaser will take appropriate actions to ensure that any person representing or acting under its instruction or control will also comply with this clause. Purchaser will not request that Pentair takes any action which is prohibited or penalized under any anti-boycott law or regulation and any such request will be deemed null and void. Nothing in this clause or in any such request will be construed to require an agreement by Pentair to take action which is prohibited or penalized under any anti-boycott law or regulation. Without limitation, Pentair will not be required under any circumstances to take any action or make payments that Pentair believes, in good faith, would cause it or its affiliated companies to be in violation of any Anti-Corruption Laws (Anti-Corruption Laws include, collectively, the UK Bribery Act 2010, laws under the OECD Anti-Bribery Convention, the United States Foreign Corrupt Practices Act and local anti-corruption laws).

6. Except as disclosed in writing to Pentair, the Purchaser represents that it does not believe or have any reason to believe that there are any actual or potential conflicts of interest regarding its relationship with Pentair, including family members who could benefit from the commercial relationship between the Purchaser and Pentair. Neither Pentair nor any of its representatives are or have any family members who are government officials in a position to influence the Purchaser's commercial relationship with Pentair.

7. The Purchaser will maintain complete and accurate books and records in accordance with generally accepted accounting principles in Purchaser's jurisdiction, consistently applied, properly and accurately recording any and all transactions involving or in any way related to Pentair. The Purchaser will maintain a system of internal accounting controls reasonably designed to ensure that its assets are used only in accordance with its management directives and that it maintains no off-the-book accounts.

8. If at any time Pentair believes in good faith that the Purchaser has breached the warranties, representations or agreements in this section XII, Pentair has the right to select an independent third party to conduct an audit at Pentair's expense, to verify the Purchaser's adherence to the terms in this section. The Purchaser will fully cooperate in such audit.

9. The Purchaser will notify Pentair promptly if: (a) the Purchaser has reason to believe that a breach of this Agreement (including, without limitation, this section XII) has occurred or is likely to occur; or (b) if any conflicts of interest arise. Purchaser will send all such notices to ethics@pentair.com.

10. Any breach of the warranties, representations or agreements of this section XII will constitute a material breach of this Agreement and be grounds for immediate termination for cause of any order and Pentair may withhold any delivery of Goods until such time that Pentair has received confirmation to its reasonable satisfaction that no breach has occurred or will occur. Purchaser will indemnify and hold Pentair harmless against any actions, legal claims, demands, proceedings, losses, damages, costs, expenses and other liabilities of whatever nature resulting from Purchaser's breach of the representations, warranties and agreements contained in this section XII. Without limitation, Pentair expressly reserves the right to refuse to enter into or perform any order, and to cancel any order, if Pentair in its sole discretion determines that such order could violate any applicable law or regulation of the United States, or any other governments. The parties agree that any such refusal or cancellation of any order, or termination of this Agreement by Pentair, as described above, will not constitute a breach of any of Pentair's obligations under this Agreement, and the Purchaser hereby waives any and all claims against Pentair for any loss, cost or expense related thereto.

XIII. Relationship Data & Privacy

Pentair may collect, process and transfer certain personal data in managing its business relationship with Purchaser, such as the names and contact details of Purchaser's personnel involved in the Contract or involved in maintaining or managing Purchaser's use of the Goods. Pentair will handle such personal data in accordance with Pentair's Privacy Notice, which is available at: <https://www.pentair.com/en/privacy-notice.html> Purchaser will provide any necessary notice to and obtain any legally-required consent from its personnel, or affiliates for Pentair's use of their personal data.

XIV. Applicable law and jurisdiction

Unless otherwise mutually agreed, the terms of this Contract shall be interpreted and enforced according to the national law applicable in the country where Pentair is incorporated, excluding principles of conflict of laws and the Convention on Contracts for the International Sale of Goods. Any disputes which may arise from these Conditions and/or the Contract shall be submitted solely to the competent Court of the city where Pentair has its registered office.

XV. Miscellaneous

1. Pentair's warranty terms and conditions (if any) applicable to this contract will be detailed in a separate written document. To the extent permitted by law, those separate, written Warranty Terms & Conditions will be the sole warranty of Pentair and Pentair hereby expressly disclaims and Purchaser waives all other warranties expressed, implied in law or implied in fact, including any warranties of merchantability or fitness for a particular purpose.

2. Any notice required or permitted to be given by either party to the other under these Conditions shall be in writing addressed to that other party at its registered office or principal place of business or such other address as, at the relevant time, has been notified to the party giving the notice.

3. No waiver of Pentair of any breach of the Contract by the Purchaser shall be considered as a waiver of any subsequent breach of the same or any other provision.

4. If any provision of these Conditions is held by any competent authority to be invalid or unenforceable in whole or in part, the validity of the other provisions of these Conditions and the remainder of the provision in question shall not be affected thereby.

WARRANTY TERMS & CONDITIONS - EN

Pentair warrants the Goods (and any component parts) against defects in materials and workmanship under normal use and service for the period set forth in the Warranty Table below. If the Goods do not appear on the Warranty Table, the warranty period is one (1) year.

All the warranty periods indicated below start:

- a) In the case of being managed through a Pentair-authorized after-sales centre, from the date of the sales receipt given to the end customer
- b) From the date of the invoice to Pentair's direct customers in all other cases

Goods/Brand	Warranty Period:
JUNG-PUMPEN pumps	2 years
JUNG-PUMPEN accessories	2 years

In these Warranty Terms & Conditions:

"Conditions" means these warranty terms and conditions, as set out in this document and (unless the context otherwise requires) includes any special warranty terms and conditions separately agreed in writing between the Purchaser and Pentair.

"Goods" means the goods which Pentair has supplied to the Purchaser and to which these Conditions are intended to apply.

"Pentair" means the party who has sold and supplied the Goods to which these Conditions apply.

"Purchaser" means the party who has purchased the Goods to which these Conditions apply.

The following additional terms apply to these Conditions:

- Pentair does not warrant accessories or components that are not manufactured by Pentair. This include any service parts used that are manufactured by other companies, including but not limited to, motors, pistons, seal kits, spacer kits, bypass valves, brine connections & devices, or any other non-Pentair parts. Such items may carry warranties offered by the original manufacturers and, to the extent possible, Pentair will, if expressly requested in writing to do so by the Purchaser, assign to Purchaser its rights under the original manufacturer's warranty, without recourse to Pentair.
- Purchaser must give Pentair notice in writing of any alleged defect covered by this warranty (together with all identifying details, including the serial number, the type of Goods, and the date of purchase) within thirty (30) days of the discovery of such defect and in any event during the warranty period. No claim made after the expiration of the warranty period shall be valid.
- This warranty is based on the use of original equipment manufacturer (OEM) replacement parts. Pentair assumes no responsibility or liability if alterations, non-authorized design modifications and/or non-OEM replacement parts are incorporated. If requested by Pentair, any Goods (or its component parts) must be promptly returned to Pentair prior to any attempted repair, or sent to an authorized service station designated by Pentair, and Purchaser shall prepay all shipping expenses. Pentair shall not be liable for any loss or damage to Goods in transit, nor will any warranty claim be valid unless the returned Goods are received intact and undamaged as a result of shipment. Repaired or replaced material returned to customer will be shipped FCA (Incoterms 2020), Pentair's warehouse or factory. Pentair will not give Purchaser credit for parts or Goods returned to Pentair, and will not accept delivery of any such parts or Goods, unless Purchaser has obtained Pentair's approval in writing. Unless otherwise stated in the Warranty Table, this warranty extends to repaired or replaced parts of Pentair's manufacture for six (6) months or for the remainder of the original warranty period applicable to the Goods or parts being repaired or replaced, whichever is greater.
- If multiple problems occur which are related to each other, the warranty period of the root cause will be taken as the warranty period for all affected components.
- Pentair may substitute new Goods or improve part(s) of any Goods judged defective without further liability. All repairs or services performed by Pentair, which are not covered by this warranty, will be charged in accordance with Pentair's standard prices then in effect.
- Under the terms of this warranty, Pentair shall not be liable for: (a) consequential, incidental, collateral, special or liquidated losses or damages; (b) defects caused by normal wear and tear, abnormal conditions of use, failure to maintain, clean, use or operate as per Pentair's product manual or other written guidelines (including, but not limited to applicable codes and ordinances), accident, neglect, abuse or misuse of the Goods; (c) the expense of, and loss or damage caused by, repairs or alterations made by anyone other than

Pentair; (d) damage caused by failure to maintain water conditions or water chemistry, by water freezing, membrane fouling or scaling, debris build-up, abrasive materials, chemicals, gases, liquids, scale deposits, corrosion, lightning, improper voltage, mishandling, or other similar conditions; (e) damage due to hydro-pneumatic or pneumatic use; (f) damage caused by friction, wear, chemical attack, or debris build-up on wear parts ("wear parts" include, but are not limited to: pistons, piston rods, seals, spacers, end cap quad rings, and parts requiring replacement under recommended maintenance procedures, such as filter housing O-rings and gaskets); (g) any loss, damage, or expense relating to or resulting from installation, removal or reinstallation of Goods; (h) any labor costs or charges incurred in repairing or replacing defective Goods or parts, including the cost of reinstalling parts that are repaired or replaced by Pentair; (i) any expense of shipment of Goods or repaired or replacement parts; or (j) any other loss, damage or expense of any nature, including, without limitation, accidental damage, fire, acts of God, or other circumstances outside Pentair's control.

- TO THE EXTENT PERMITTED BY LAW, THIS WARRANTY IS THE SOLE WARRANTY OF PENTAIR AND PENTAIR HEREBY EXPRESSLY DISCLAIMS AND PURCHASER WAIVES ALL OTHER WARRANTIES EXPRESSED, IMPLIED IN LAW OR IMPLIED IN FACT, INCLUDING ANY WARRANTIES OF MERCHANTABILITY OR FITNESS FOR A PARTICULAR PURPOSE. PENTAIR'S SOLE OBLIGATION UNDER THIS WARRANTY SHALL BE, AT ITS OPTION, TO REPAIR OR REPLACE ANY GOODS (OR ITS COMPONENT PARTS) WHICH HAS A DEFECT COVERED BY THIS WARRANTY, OR TO REFUND THE PURCHASE PRICE OF SUCH GOODS OR PART.



[Pentair Water Italy s.r.l.](#) | [Via Masaccio, 13](#) | [56010 Lugnano \(PI\), Italy](#) | [Tel. +39.050.71.61.11](#) | [jung-pumpen.it](#)

[JUNG PUMPEN GmbH](#) | [Industriestraße 4-6](#) | [33803 Steinhagen](#) | [Germany](#) | [jung-pumpen.com](#)

All indicated Pentair trademarks and logos are property of Pentair. Third party registered and unregistered trademarks and logos are the property of their respective owners.

Because we are continuously improving our products and services, Pentair reserves the right to change specifications without prior notice. Pentair is an equal opportunity employer.

NV27D0123E ED. EN - Rev.0 - 01/23 © 2023 Pentair. All Rights Reserved.